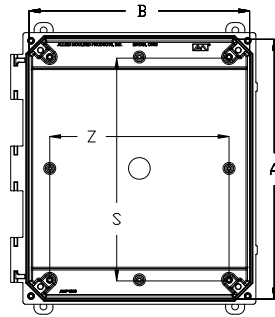
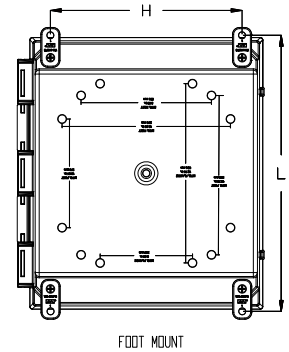
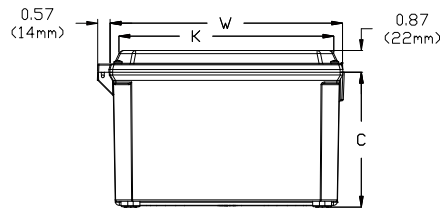
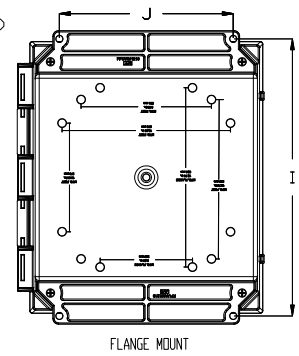
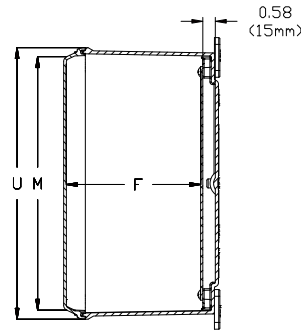


Hinged Screw Covers - Clear Polycarbonate



NOTE: COVER REMOVED FOR CLARITY



	Box Size Inside Dimensions			Usable Depth	Panel Boss Centers		Flange Mount Centers		Foot Mount Centers		Cover Size				Nominal Wall Thickness
	A	B	C		F	S	Z	J	I	H	L	K	M	W	
AMP664CCH(F)	5.93	6.16	3.98	4.18	4.25	4.25	4.00	6.88 6.75	4.91	6.75	5.89	5.67	6.72	6.50	0.14
	151mm	156mm	101mm	106mm	108mm	108mm	102mm	175mm 171mm	125mm	171mm	150mm	144mm	171mm	165mm	3.7mm
AMP864CCH(F)	7.94	6.16	3.98	4.18	6.25	4.25	4.00	8.88 8.75	4.91	8.75	5.89	7.67	6.72	8.50	0.14
	202mm	156mm	101mm	106mm	159mm	108mm	102mm	226mm 222mm	125mm	222mm	150mm	195mm	171mm	216mm	3.7mm
AMP1084CCH(F)	9.93	8.15	3.98	4.18	8.25	6.25	6.00	10.75	6.91	10.75	7.89	9.67	8.72	10.50	0.14
	252mm	207mm	101mm	106mm	210mm	159mm	152mm	273mm	175mm	273mm	200mm	246mm	221mm	267mm	3.7mm
AMP1206CCH(F)	11.92	10.15	5.98	6.18	10.25	8.25	8.00	12.75	8.82	12.70	9.89	11.67	10.72	12.50	0.14
	303mm	258mm	152mm	157mm	260mm	210mm	203mm	324mm	224mm	323mm	251mm	296mm	272mm	318mm	3.7mm
AMP1426CCH(F)	13.94	12.16	5.98	6.18	12.25	10.25	10.00	14.75 14.62	10.82	14.70	11.89	13.67	12.72	14.50	0.14
	354mm	309mm	152mm	157mm	311mm	260mm	254mm	375mm 371mm	275mm	373mm	302mm	347mm	323mm	368mm	3.7mm

Enclosure base part numbers come standard with 4 separately bagged feet (ex. AMP664CCH)
 Add "F" to the part number for factory installed flanges (ex. AMP664CCHF)
 "I" dimensions with multiple numbers indicate slotted holes
 All dimensions are in inches unless otherwise noted